

HIAB X-DUO 288



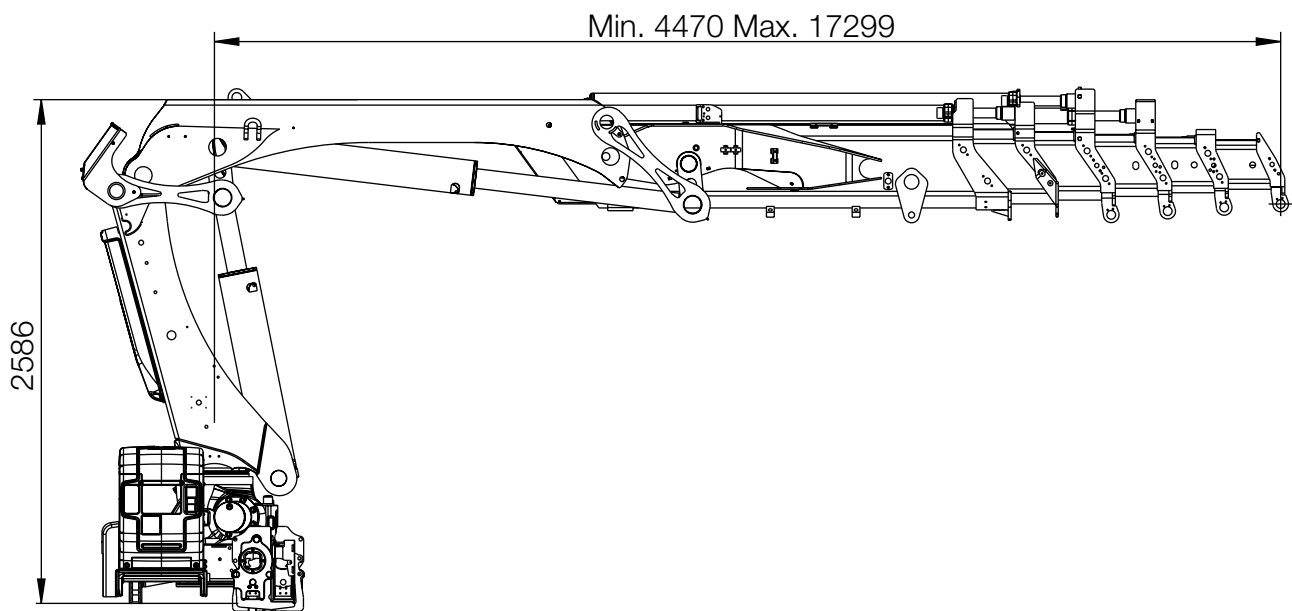
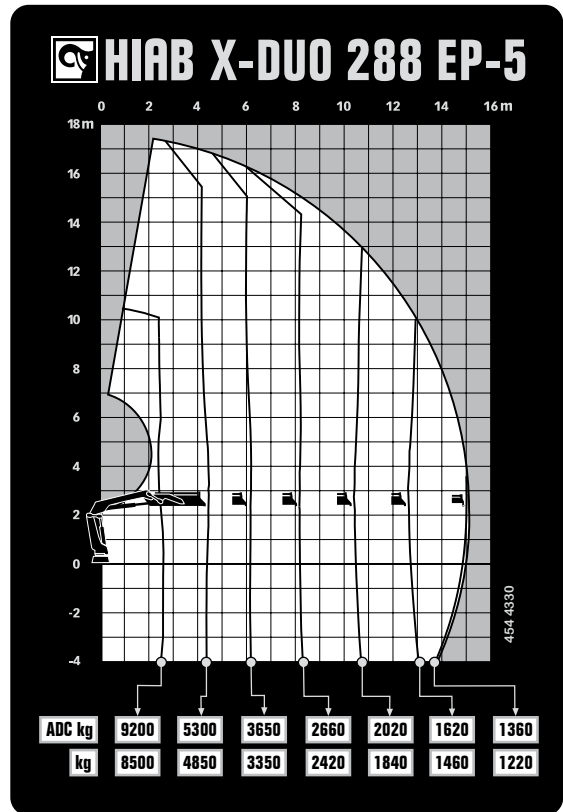
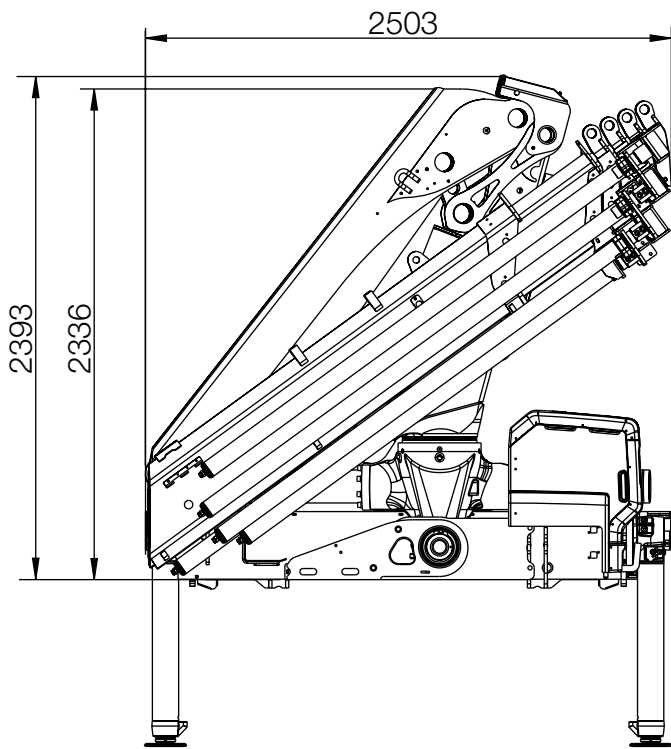
HIAB X-DUO 288 BASIC DATA

BASIC DATA	X-Duo 288 EP-2	X-Duo 288 EP-3	X-Duo 288 EP-4	X-Duo 288 EP-5
Mdyn	318 kNm	326 kNm	333 kNm	339 kNm
Lifting capacity (kNm)	230	224	219	215
Lifting capacity (tm)	23,5	22,8	22,3	21,9
Lifting capacity (ADC) (kNm)	248	242	237	233
Lifting capacity (ADC) (tm)	25,3	24,7	24,2	23,8
Outreach - lifting capacity, standard (m-kg)	2,6 - 9 400	2,6 - 9 200	2,5 - 9 300	2,5 - 9 200
	4,2 - 6 000	4,3 - 5 700	4,4 - 5 500	4,5 - 5 300
	5,9 - 4 250	6 - 4 050	6,1 - 3 850	6,2 - 3 650
	7,9 - 3 200	8 - 2 980	8,1 - 2 800	8,2 - 2 660
			10,3 - 2 160	10,4 - 2 020
			12,6 - 1 760	12,7 - 1 620
			15 - 1 360	
Outreach - lifting capacity, manual extensions (m-kg)	10,1 - 2 420	12,5 - 1 820	15 - 1 380	17,2 - 1 120
Hydraulic outreach, standard (m)	8	10,3	12,7	15,1
Hydraulic boom extension (m)	3,8 m	6,0 m	8,3 m	10,6 m
Outreach, manual extensions (m)	10,2	12,6	15	17,3
Lifting height above installation level, hydr/man. (m)	10,6 / 15,1	12,9 / 17,5	15,3 / 19,8	17,7 / 19,8
Rec. oil flow (l/min)	50 - 70	50 - 70	50 - 70	50 - 70
Working pressure (Mpa)	31	31	31	31
Oil in tank (l)	150 - 200	150 - 200	150 - 200	150 - 200
Tank capacity (l)	0 - 235	0 - 235	0 - 235	0 - 235
Slewing angle (°)	420	420	420	420
Max slope viable at full capacity (°)	5	5	5	5
Slewing torque, gross (kNm)	34	34	34	34
Slewing speed 80 (°/s)	15	15	15	15
Slewing speed (°/s)	15	15	15	15
Lifting speed at standard hydraulic outreach (m/s)	1	1,2	1,5	1,8
Height in folded position (mm)	2 393	2 393	2 392	2 393
Width in folded position (mm)	2 500	2 500	2 500	2 503
Install space required with hose and pipe kit (mm)	1 195	1 185	1 259	1 209
Crane in standard version without stabiliser system (kg)	2 630	2 830	3 000	3 140
Frame attachments (kg)	56 - 63	56 - 63	56 - 63	56 - 63
Stabiliser system (kg)	381 - 465	381 - 465	381 - 465	381 - 465

This table show one example of a model, and represents some of all options available. With the opportunity to configure your crane, we can provide you with a crane perfectly tailored to your needs.

Please contact your local dealer for more information and the exact data on the variety of options we can offer.

Hiab X-DUO 288 EP-5



BUILT TO PERFORM

Hiab is the world's leading provider of on-road load handling equipment. Customer satisfaction is the first priority for us. Hiab's product range includes HIAB loader cranes, JONSERED recycling and forestry cranes, LOGLIFT forestry cranes, MOFFETT truck mounted forklifts and MULTILIFT demountables, as well as DEL, WALTCO and ZEPRO tail lifts.

hiab.com

Hiab is part of Cargotec.

cargotec.com



hiab.com